

# i3ADD-ON WF 04

FIXED WALL MOUNTING

## Installation Manual



i3ADD-ON HF 87" 04  
i3ADD-ON HF 100" 04



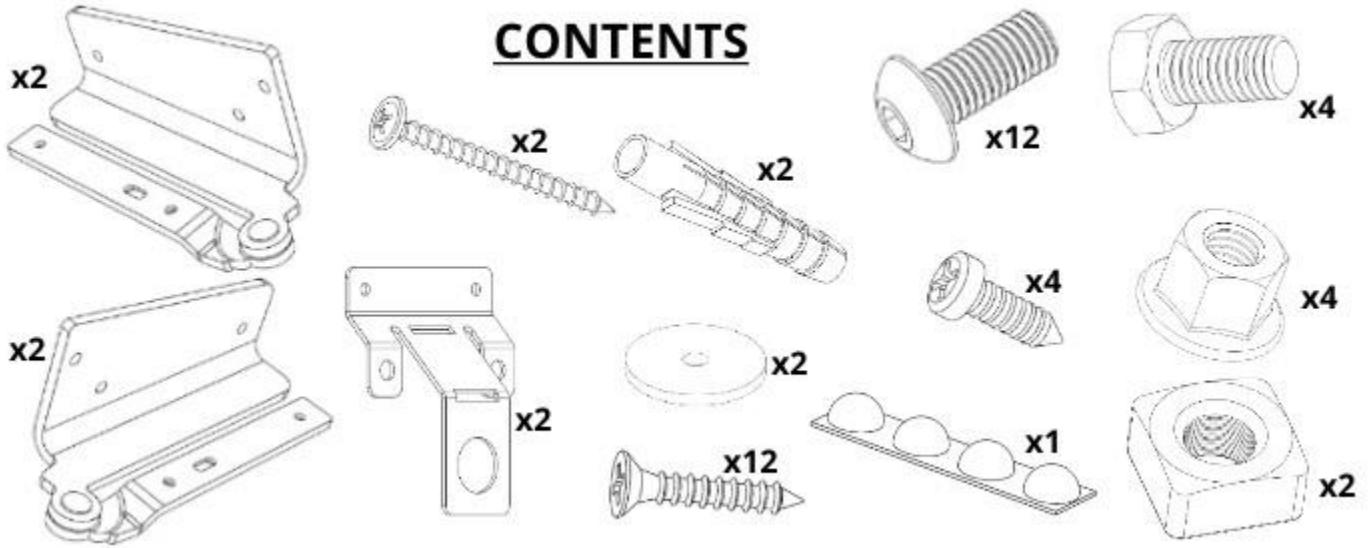
TECHNOLOGIES

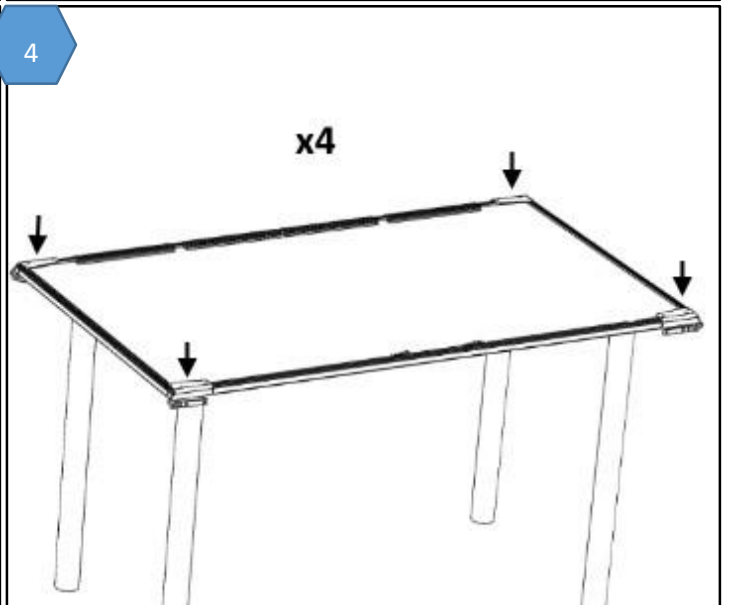
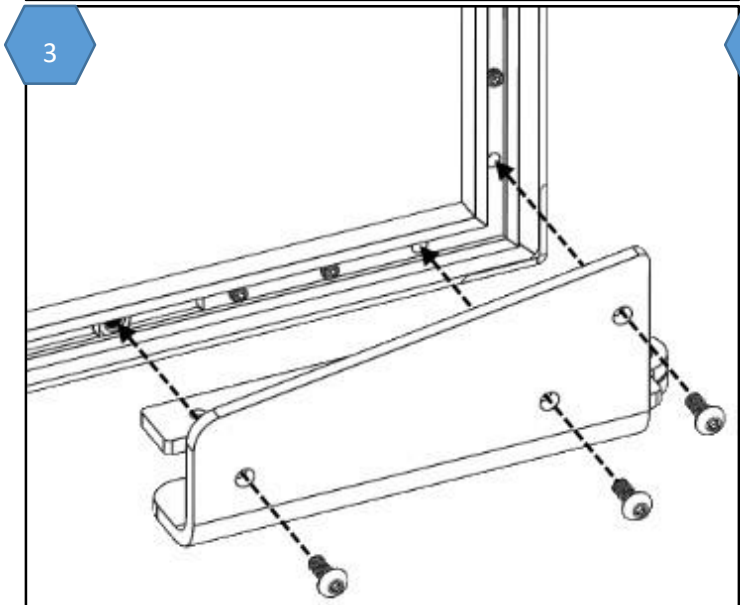
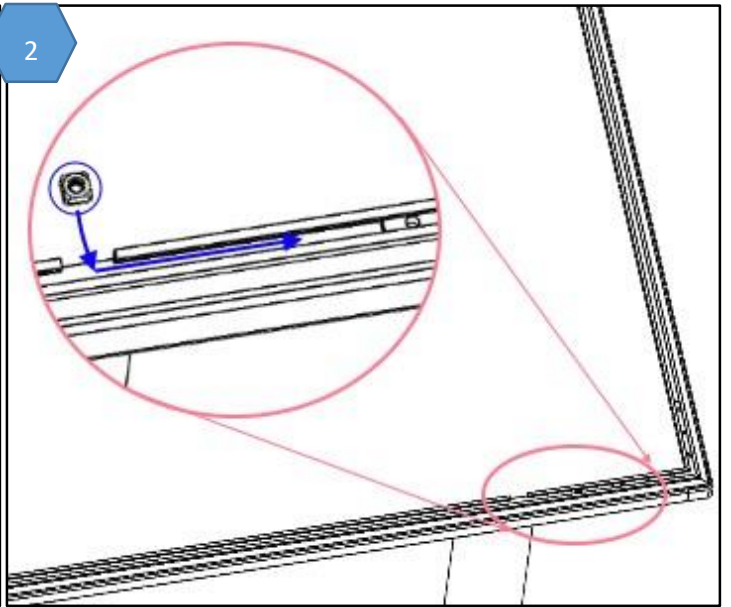
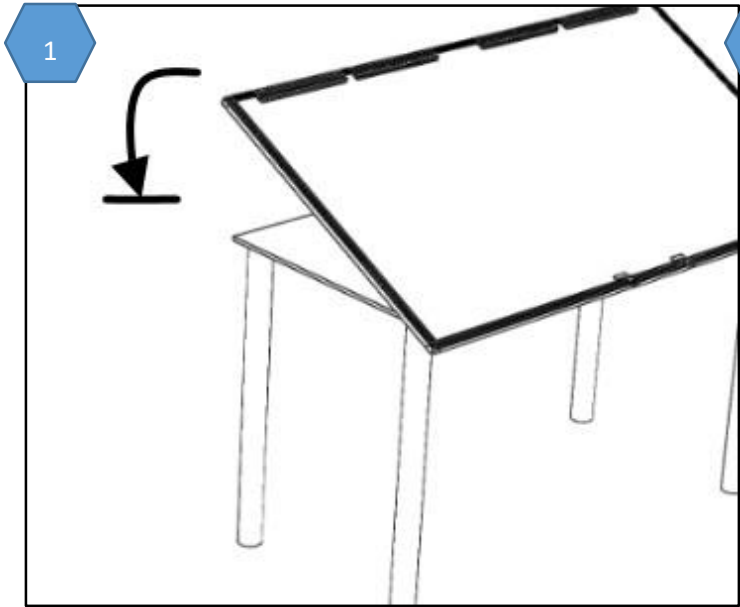
[www.i3-technologies.com](http://www.i3-technologies.com)

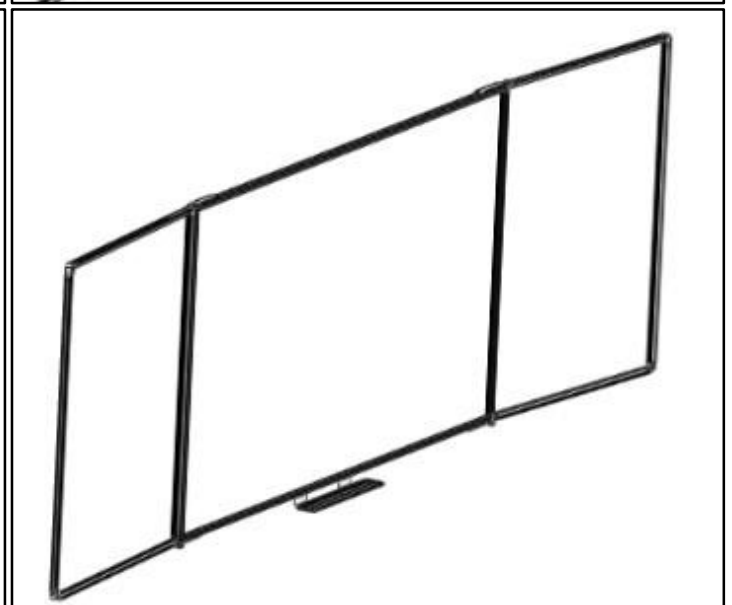
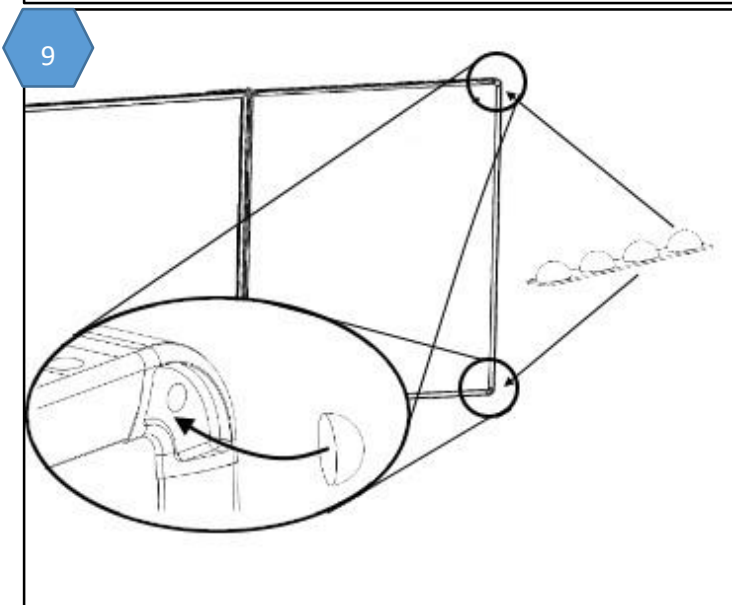
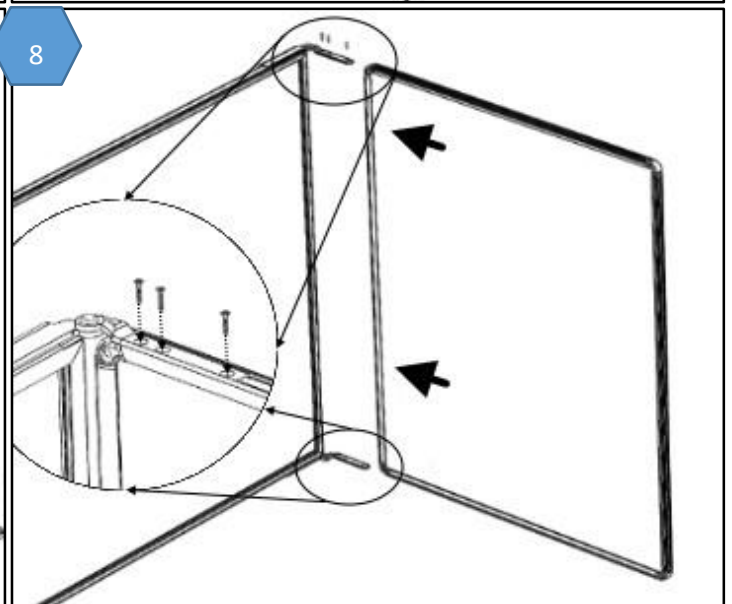
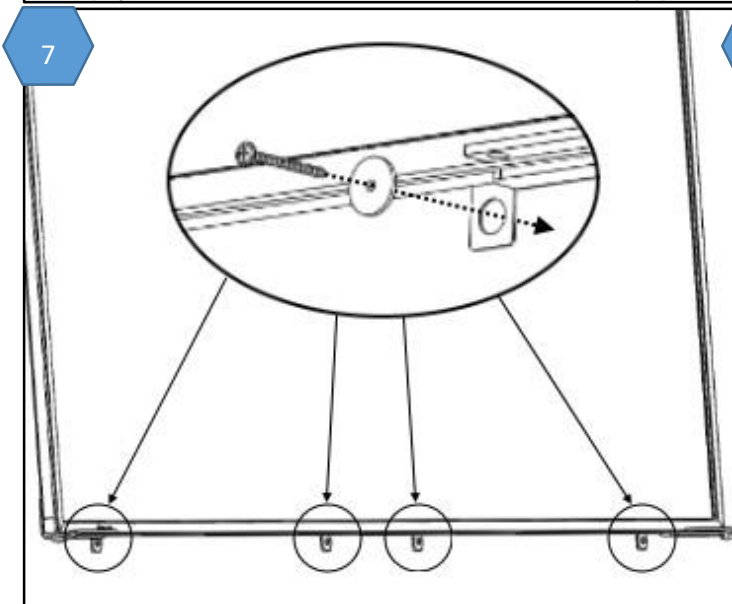
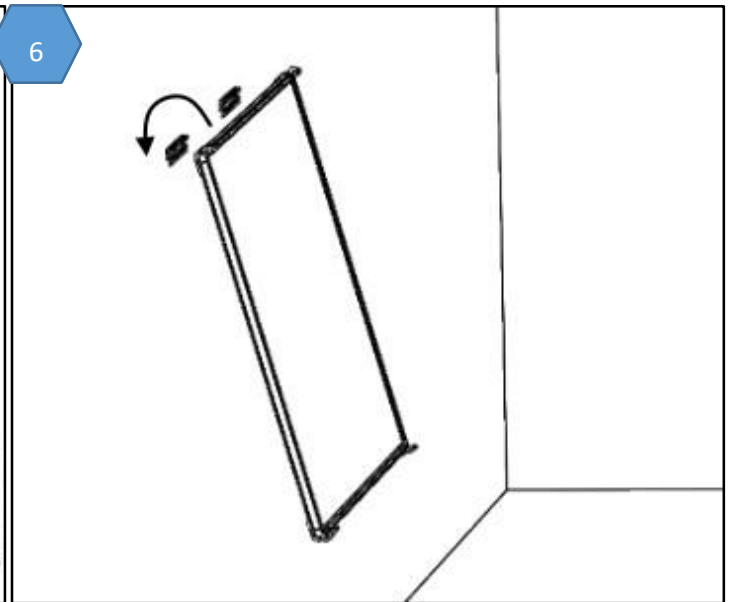
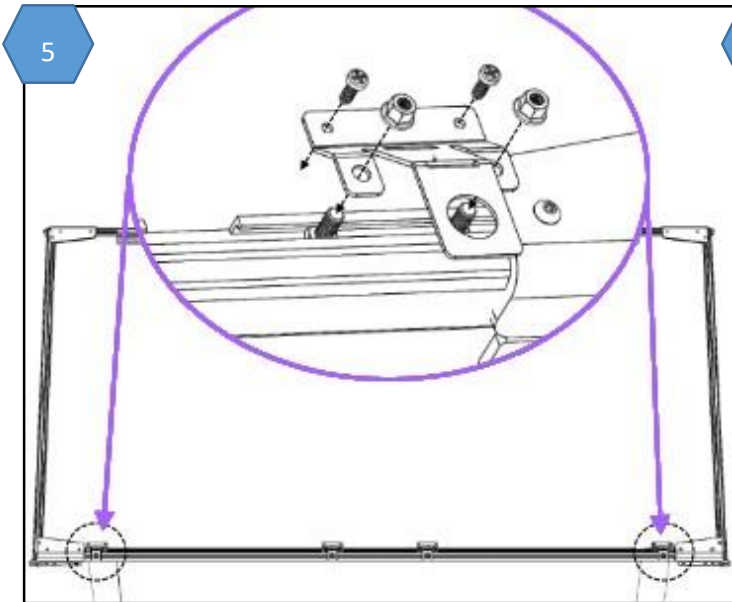


The instructions in this user manual are solely for installation of an i3ADD-ON WF 04, which is compatible with i3BOARD (gen. 04). Do not install on, or with other products, mounts, or stands. Make sure the wall is capable of carrying the load and force of this installation.

## **CONTENTS**







AUTHORISED DISTRIBUTOR

Empty rectangular box for distributor information.



[WWW.I3-TECHNOLOGIES.COM](http://WWW.I3-TECHNOLOGIES.COM)  
[INFO@I3-TECHNOLOGIES.COM](mailto:INFO@I3-TECHNOLOGIES.COM)